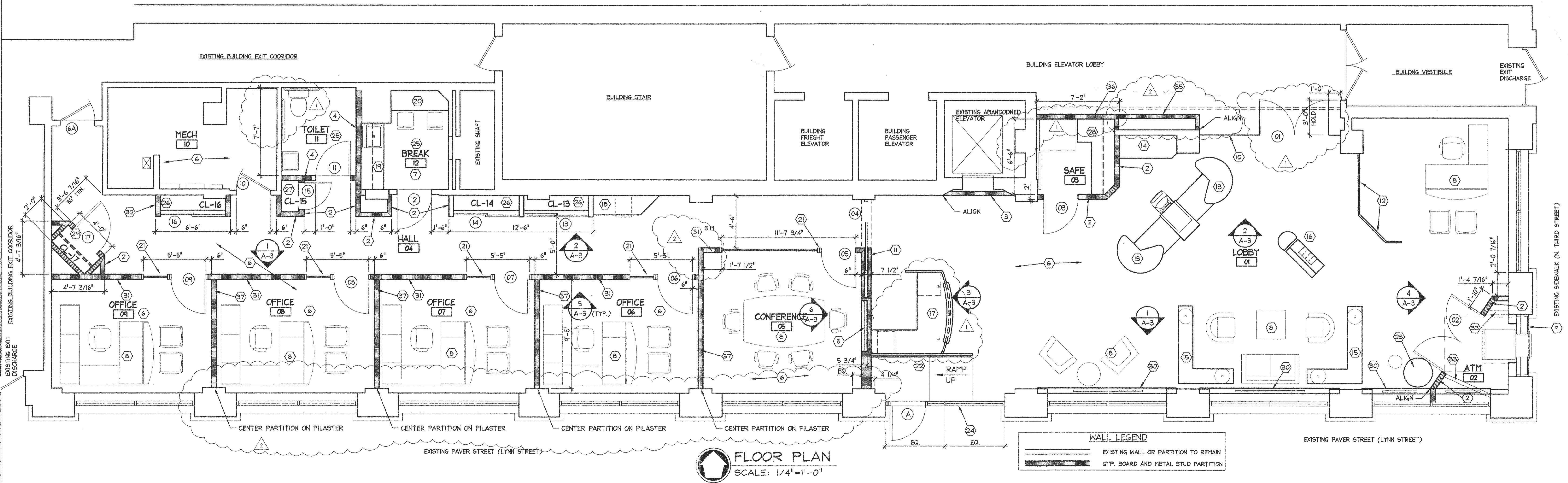
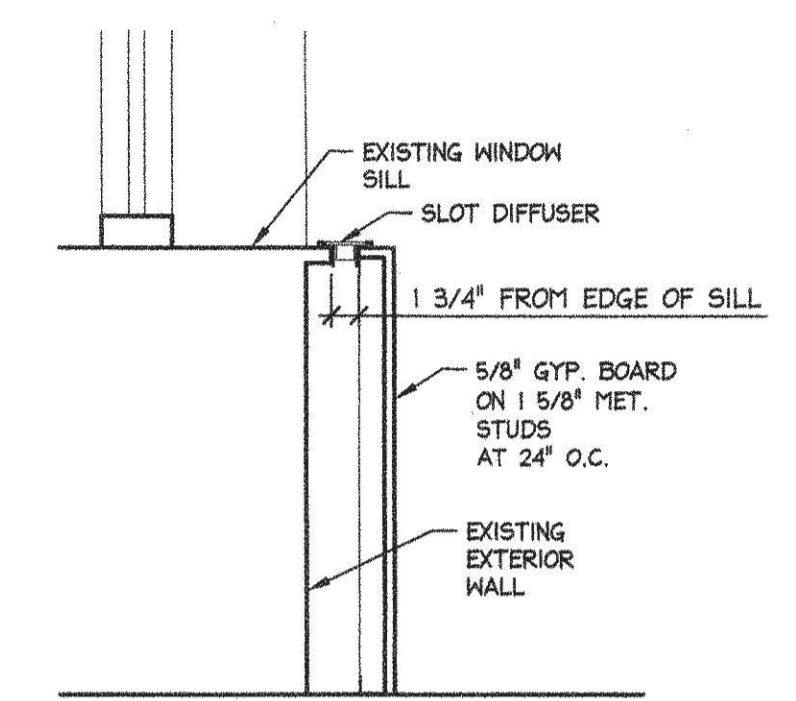
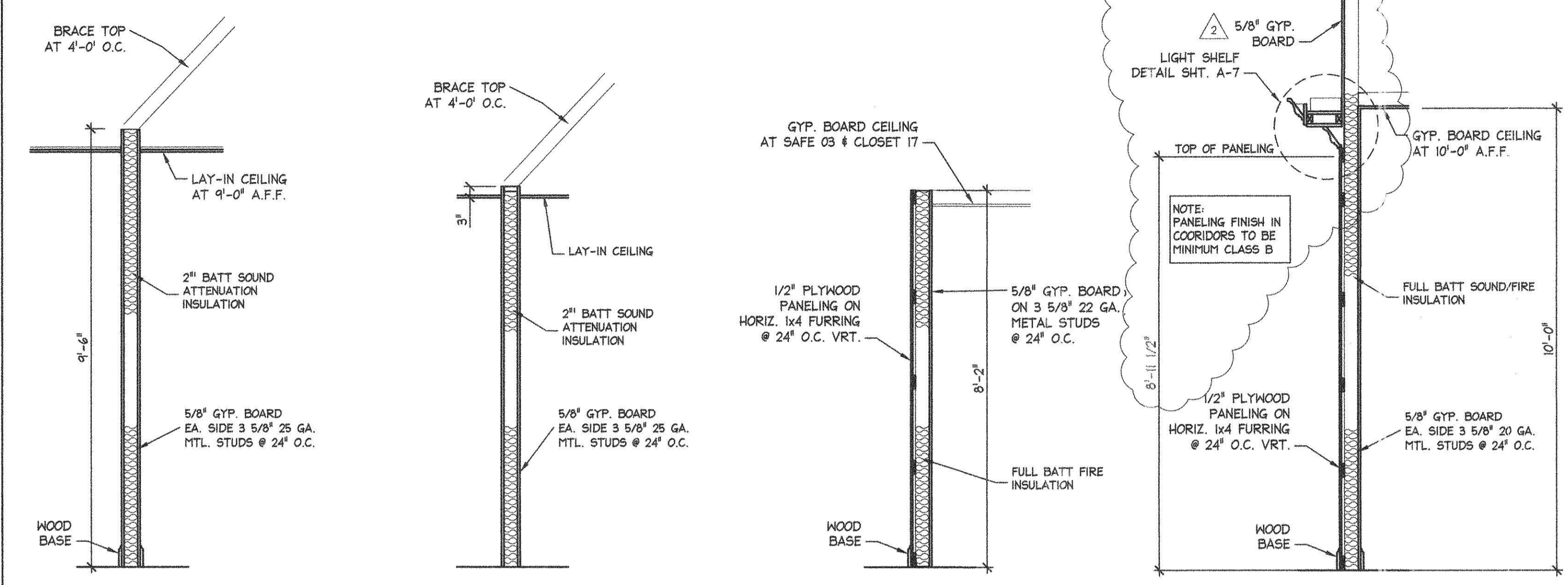


CODED CONSTRUCTION NOTES

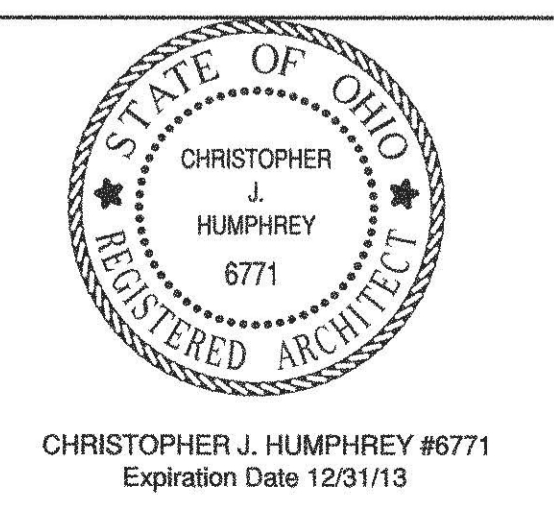
- 1 5/8" GYP. BOARD ON EACH SIDE OF 3 5/8" 25 GA. METAL STUDS AT 24" O.C. TO 9'-6" A.F.F. SEE PARTITION SECTION 1/A-1
- 2 5/8" GYP. BOARD ON ONE SIDE OF 3 5/8" 22 GA. WITH 5/8" PLYWOOD PANELING ON LOBBY SIDE. SEE SECTION 3/A-1
- 3 5/8" GYP. BOARD ON ONE SIDE OF 3 5/8" 22 GA. TO EXISTING SOFFIT ABOVE ELEVATOR
- 4 5/8" GYP. BOARD ON EACH SIDE OF 3 5/8" 25 GA. METAL STUDS AT 24" O.C. TO 8'-3" A.F.F. SEE PARTITION SECTION 2/A-1
- 5 POCKET IN PARTITION FOR TV MONITOR. SEE ELEVATION 6/A-3
- 6 NEW CARPET
- 7 OPEN NUMBER
- 8 FURNITURE FURNISHED AND INSTALLED BY OWNER
- 9 ALUM. STOREFRONT FRAMING WITH METAL COVERED PLYWOOD. SEE DETAILS SHEET A-7
- 10 TEMPERED GLASS PARTITION. SEE DOOR SCHEDULE
- 11 POCKET DOOR POCKET. SEE DOOR SCHEDULE
- 12 WOOD AND GLASS SCREEN BY G.C. SEE 1/A-8
- 13 TELLER COUNTER. SEE 1/A-9
- 14 BACK COUNTER. SEE 1/A-9
- 15 CUSTOM WOOD BOOKCASE AND STORAGE UNITS. SEE 1/A-11
- 16 CHECK DESK AND MONITOR SUPPORT. SEE DETAILS SHEET A-10
- 17 GREETER DESK. SEE DETAILS SHEET A-10
- 18 BEVERAGE CENTER. SEE DETAIL 12/A-6
- 19 P.L.A.M. COUNTER WITH SINK, BASE CABINETS AND WALL CABINETS. SEE 1/A-6
- 20 P.L.A.M. BREAK COUNTER SEE 1/A-6
- 21 SEE JAMB REINFORCING DETAIL 3/A-4 (TYPICAL)
- 22 CONCRETE PLATFORM AND RAMP. SEE DETAILS SHEET A-7
- 23 INTERNET DESK. SEE DETAIL 5/A-8
- 24 ALUMINUM FRAME AND GLASS STOREFRONT SYSTEM. SEE DOOR SCHEDULE SHEET A-4
- 25 CERAMIC TILE
- 26 INSTALL (5) 3/4" X 15" DEEP P.L.A.M. ON 3/4" PLYWOOD SHELVES ON HEAVY DUTY KV STANDARDS AND ADJUSTABLE BRACKETS. MAX. STANDARD SPACING 24" O.C.
- 27 INSTALL (5) 3/4" X 15" DEEP P.L.A.M. ON 3/4" PLYWOOD SHELVES ON HEAVY DUTY KV STANDARDS AND ADJUSTABLE BRACKETS.
- 28 P.L.A.M. SHELVES. SEE DETAIL 14 SHEET A-8
- 29 COAT ROD AND SHELF
- 30 5/8" GYP. BOARD ON 1 5/8" 25 GA. METAL STUDS AT 24" O.C. TO TOP OF WINDOW SILL. SEE DETAIL 6/A-1
- 31 5/8" GYP. BOARD ON ONE SIDE OF 3 5/8" 20 GA. WITH 5/8" PLYWOOD PANELING ON OFFICE SIDE. SEE SECTION 4/A-1
- 32 5/8" GYP. BOARD ON EACH SIDE OF 3 5/8" 22 GA. TO GYP. BOARD CEILING
- 33 2x4 OVERHEAD BRACE
- 34 5/8" GYP. BOARD ON ONE SIDE OF 3 5/8" 22 GA. WITH 5/8" PLYWOOD PANELING ON LOBBY SIDE TO 6'-0" HIGH. SEE SHEET A-10
- 35 5/8" GYP. BOARD ON ONE SIDE OF 3 5/8" 25 GA. @ 24" O.C. TO EXISTING CEILING
- 36 5/8" GYP. BOARD ON EACH SIDE OF 3 5/8" 25 GA. @ 24" O.C. TO EXISTING CEILING
- 37 5/8" GYP. BOARD ON EACH SIDE OF 3 5/8" 20 GA. @ 24" O.C. TO EXISTING PLASTER BEAM



FILE NAME: P:\DWG\ARCHITECT\2013_CPA\13009\13009_DRAWINGS\13009_A-1.dwg, Mon-Aug-05-2013 10:05am

REVISION	DATE	DESCRIPTION
1	MAY 8, 2013	DOOR 01, WC LOCATION GEN. REV. 6-20-13
2		REMOVE OFFICE CEILINGS 7-15-13

CHRISTOPHER J. HUMPHREY
Architect, LLC
4495 Millwater Drive
Powell, Ohio 43065
Voice: 740-881-5910
Fax: 740-881-5250



WesBanco

33 N. THIRD STREET
COLUMBUS OH 43215

PROJECT NO. 13009

A-1